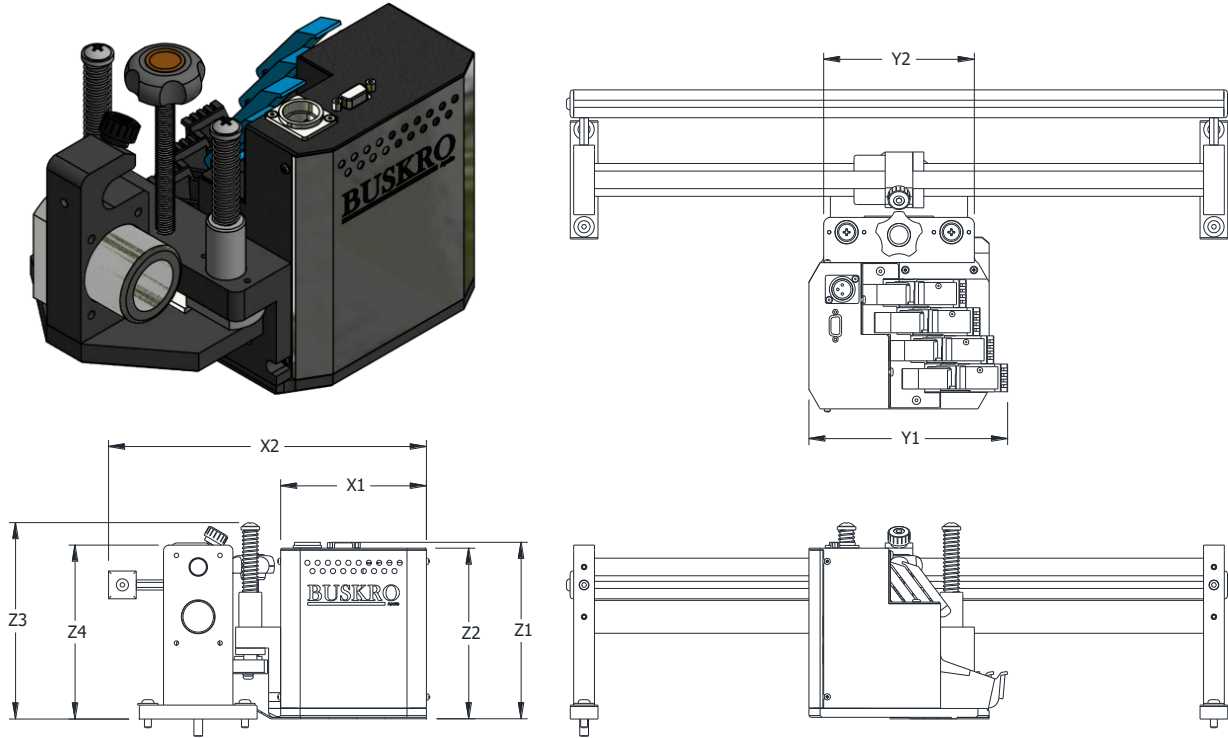


Apollo Printhead Dimensions

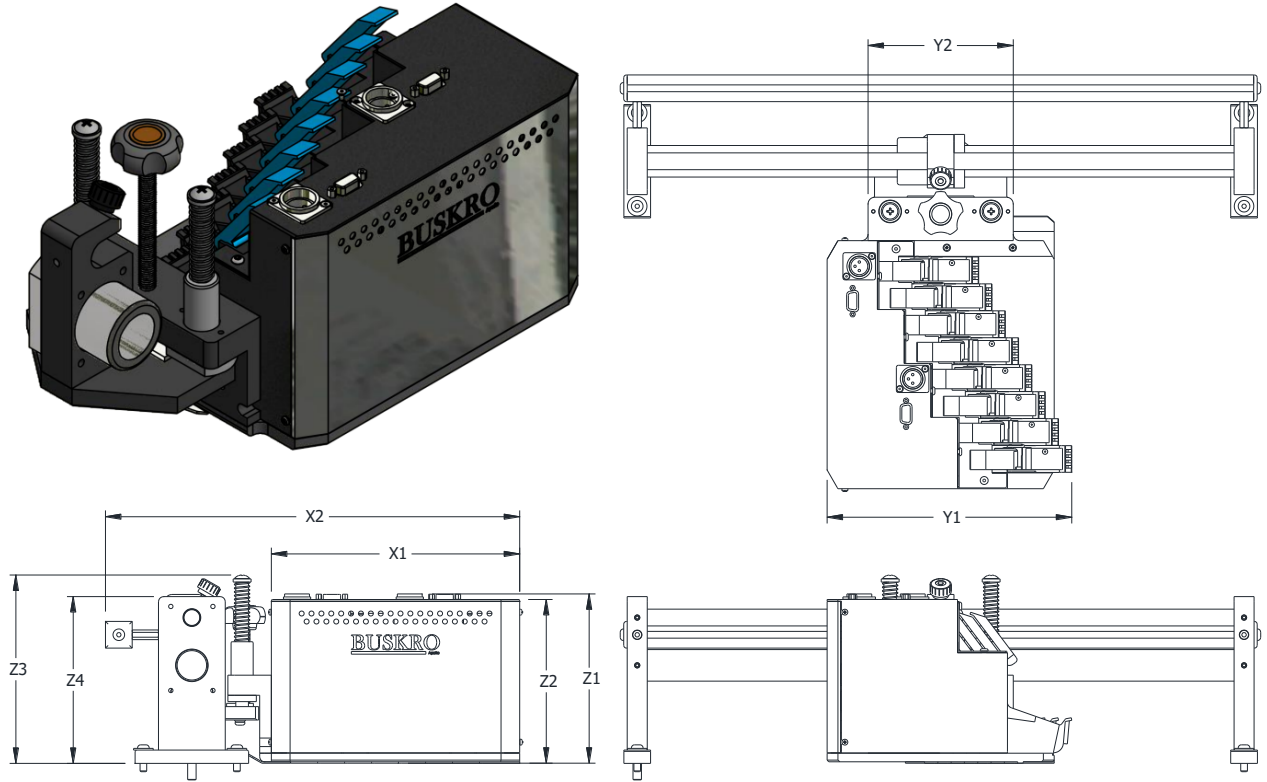
Printhead Dimensions (BK2600)



Apollo 2600 Printhead Dimensions on BK231 Bridge

Symbol	Description	Dimensions	
X1	Printhead Length	134 mm	5.26"
X2	Overall Length	291 mm	11.47"
Y1	Printhead Width	183 mm	7.20"
Y2	Printhead Mount Width	138 mm	5.43"
Z1	Overall Height	161 mm	6.34"
Z2	Printhead Height	156 mm	6.13"
Z3	Height Adjustment Height	180 mm	7.06"
Z4	Bridge Rail Mount Height	159 mm	6.25"

Apollo Printhead Dimensions (BK4600)



Apollo 4600 Printhead Dimensions on BK231 Bridge

Symbol	Description	Dimensions	
X1	Printhead Length	236 mm	9.30"
X2	Overall Length	394 mm	15.51"
Y1	Printhead Width	233 mm	9.16"
Y2	Printhead Mount Width	138 mm	5.43"
Z1	Overall Height	161 mm	6.34"
Z2	Printhead Height	156 mm	6.13"
Z3	Height Adjustment Height	180 mm	7.06"
Z4	Bridge Rail Mount Height	159 mm	6.25"