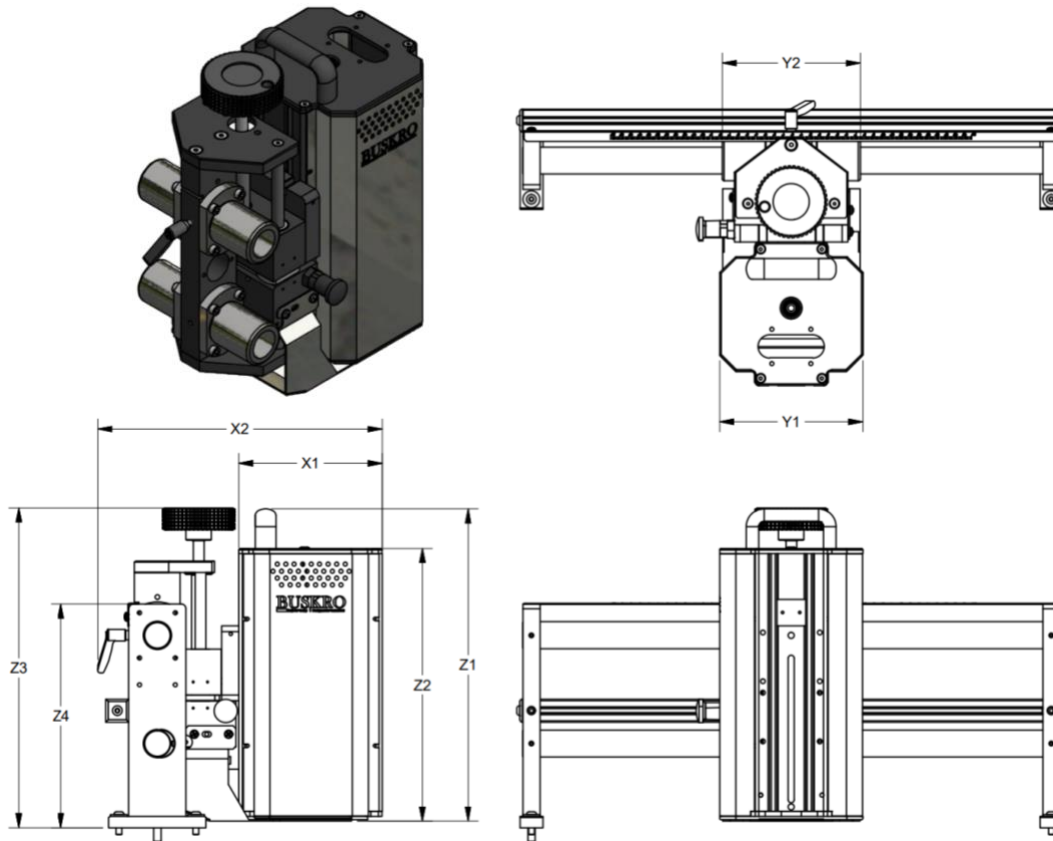


# Atlas Printhead Dimensions

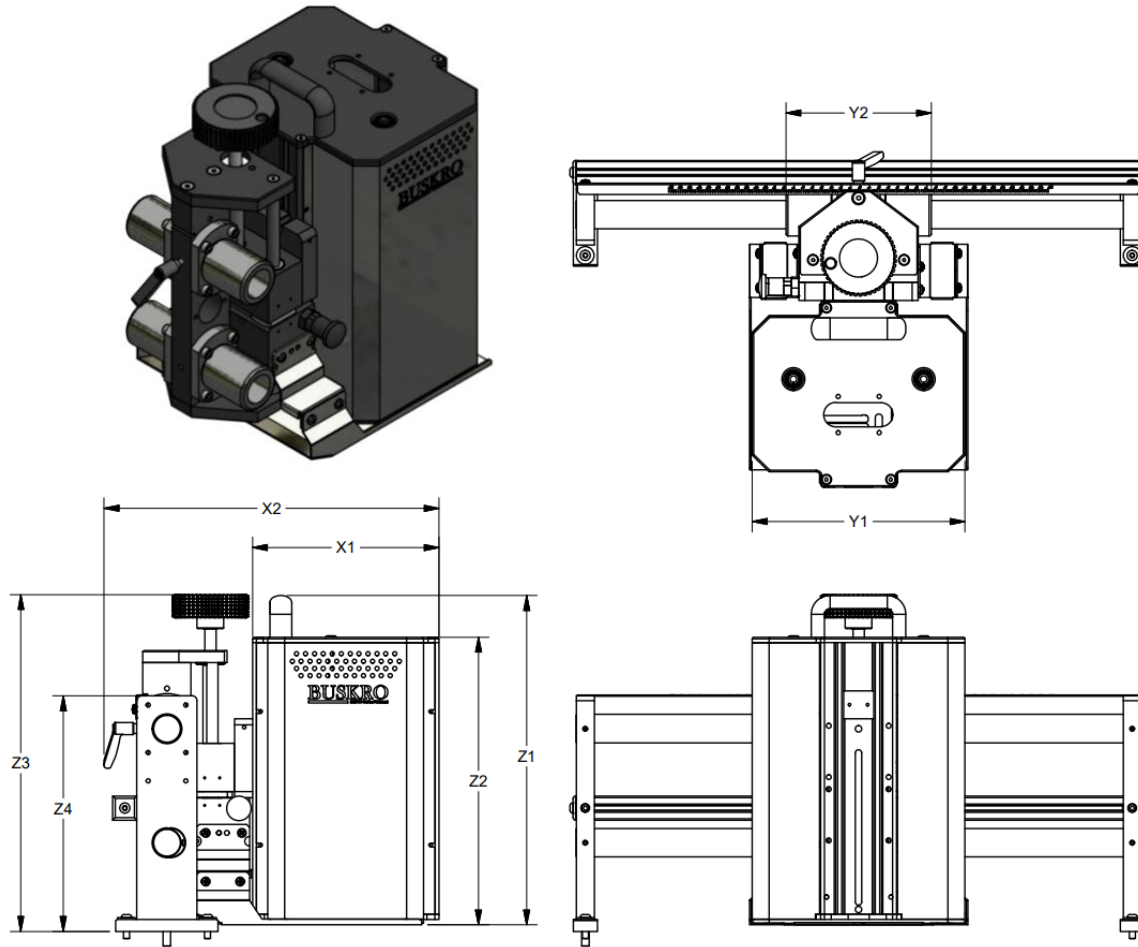
## Printhead Dimensions (BK2500)



## Atlas 2500 Printhead Dimensions on BK230 Bridge

Symbol	Description	Metric	Imperial
X1	Printhead Length	160 mm	6.28"
X2	Overall Length	316 mm	12.42"
Y1	Printhead Width	159 mm	6.25"
Y2	Printhead Mount Width	155 mm	6.04"
Z1	Overall Height	347 mm	13.64"
Z2	Printhead Height	303 mm	11.91"
Z3	Height Adjustment Height	354 mm	13.94"
Z4	Bridge Rail Mount Height	248 mm	9.75"

### Atlas Printhead Dimensions (BK5100)



### Atlas 5100 Printhead Dimensions on BK230 Bridge

Symbol	Description	Metric	Imperial
X1	Printhead Length	197 mm	7.74"
X2	Overall Length	353 mm	13.90"
Y1	Printhead Width	224 mm	8.82"
Y2	Printhead Mount Width	155 mm	6.04"
Z1	Overall Height	347 mm	13.64"
Z2	Printhead Height	303 mm	11.91"
Z3	Height Adjustment Height	354 mm	13.94"
Z4	Bridge Rail Mount Height	248 mm	9.75"