

Tabber/Labeller Head Dimensions

1.1.1

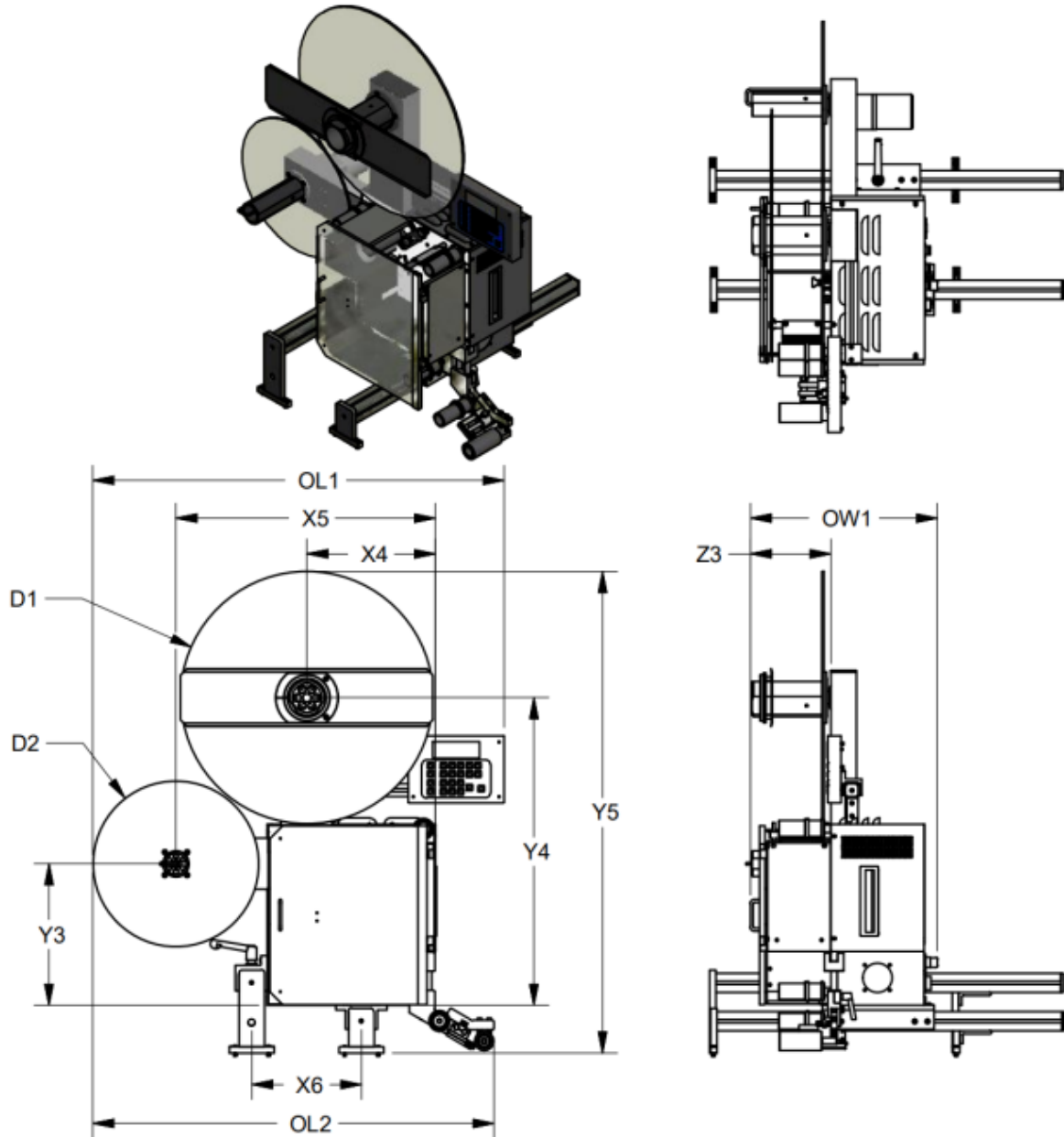


Figure 1-1: Tabber/Labeler Head dimensions.

Tabber/Labeller Head Dimensions

Table 1-4: Tabber/Labeller Head Dimensions

Symbol	Description	Metric	Imperial
OW1	Overall Tabber Head Width	14.11"	358 mm
OL1	Overall Tabber Head Length	32.15"	816 mm
OL2	Overall Tabber w/peel point Length	31.40"	798mm
X4	Despool Center Distance	9.39"	238 mm
X5	Take-up Spool Center Distance	19.64"	499 mm
X6	Distance between head bridges	8.59"	218mm
Y3	Take-up Spool Height	11.00"	279 mm
Y4	Despool Height	24.00"	609 mm