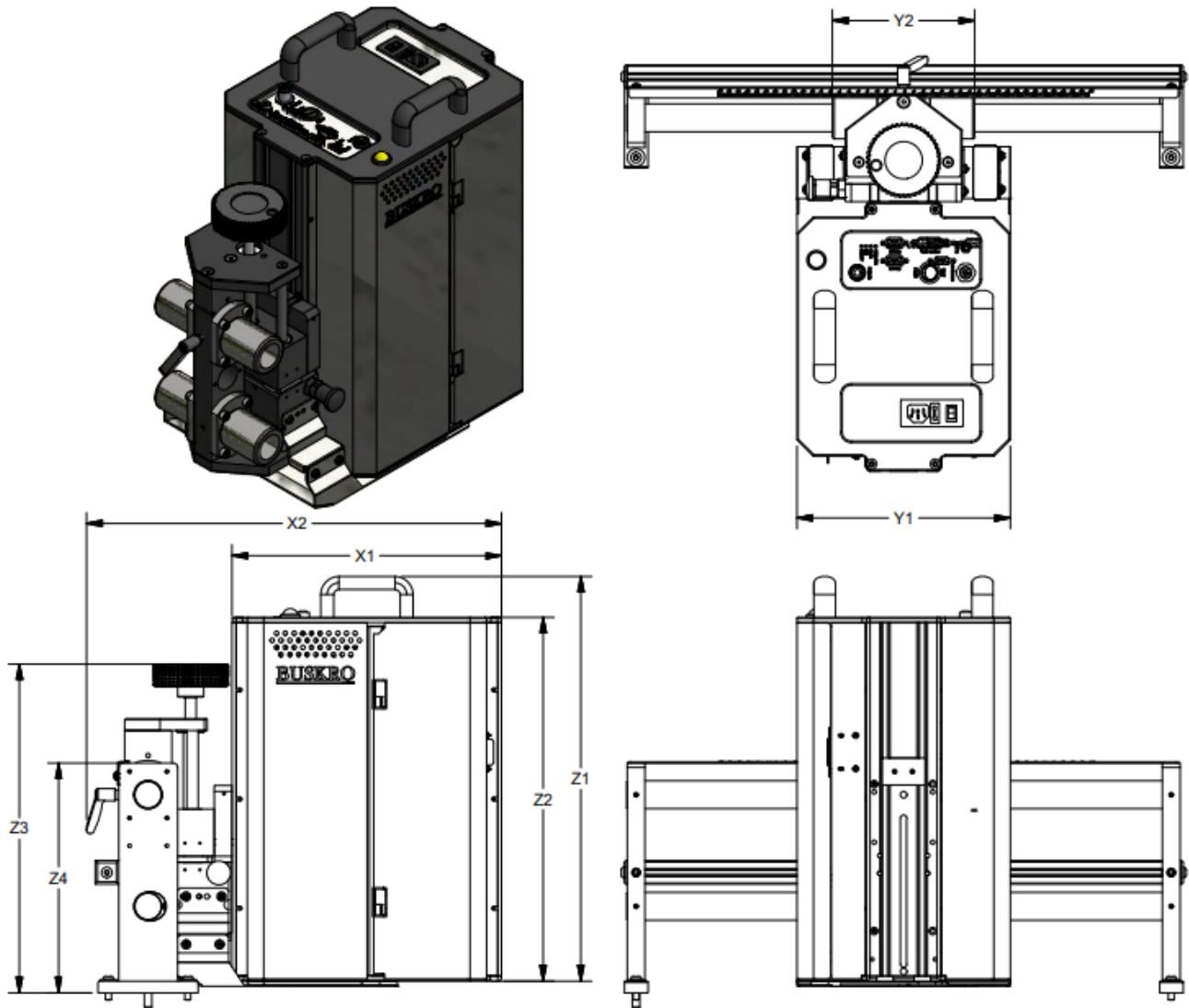


# Atom Printhead Dimensions

## Atom 5.1" Printhead Dimensions on BK230 Bridge



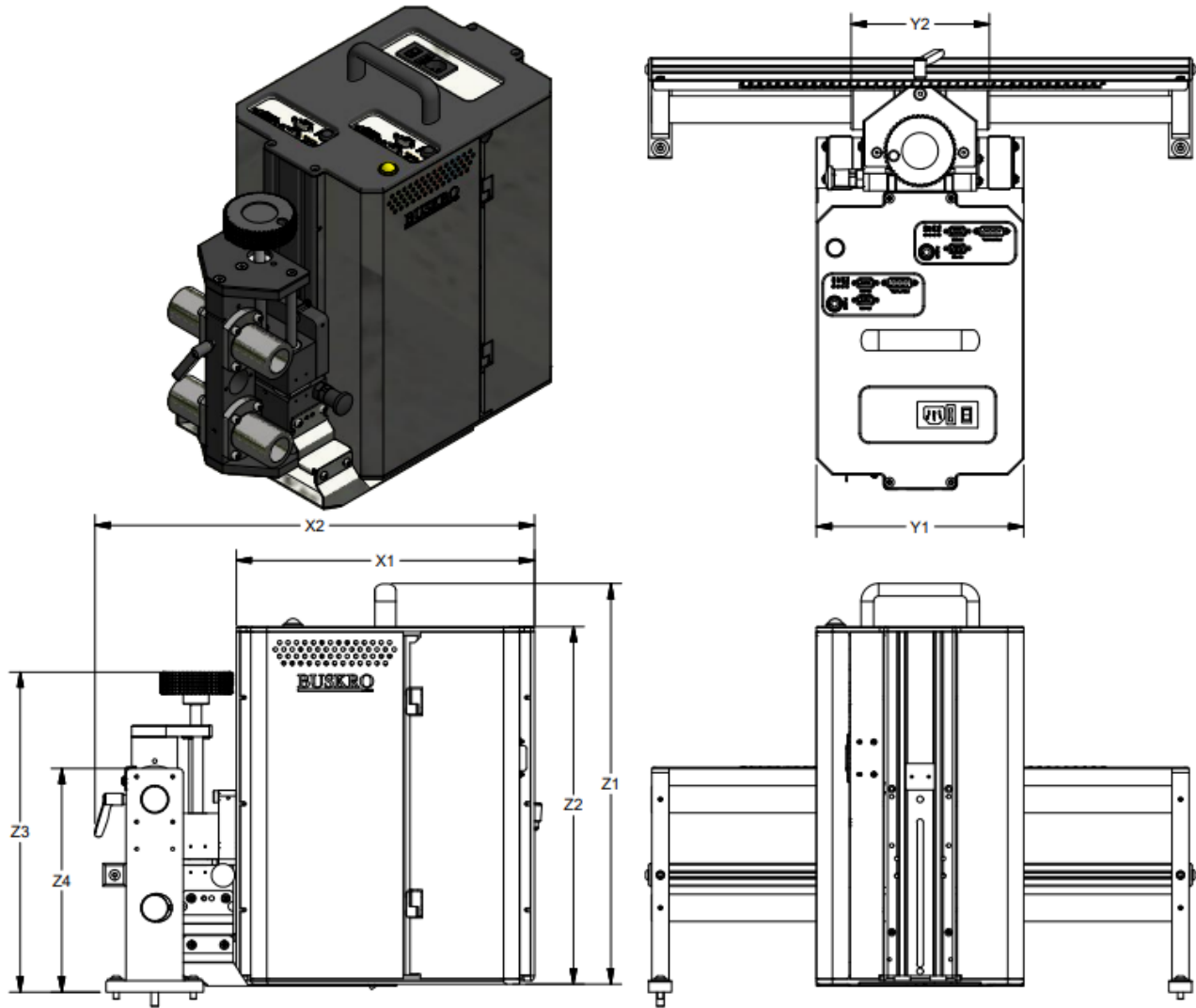
*Table 1-3: Atom Printhead Dimensions on BK230 Bridge*

Symbol		Description	Dimensions	
X1	Printhead Length		290 mm	11.43"
X2	Overall Length		447 mm	17.60"
Y1	Printhead Width		230 mm	9.06"
Y2	Printhead Mount Width		153 mm	6.04"
Z1	Overall Height		440 mm	17.31"
Z2	Printhead Height		396 mm	15.58"
Z3	Height Adjustment Knob Height		352 mm	13.85"
Z4	Bridge Rail Mount Height		248 mm	9.75"

*Table 1-4: Atom Specifications*

General		
Vertical Resolution	256 DPI (1025), 200 (2520), 300 (2530)	
Horizontal Resolution (1025 is 652 DPI Wheel, 2520 & 2530 can be 600 or 652 DPI)	100, 200, 300, 400, 600 DPI (600 DPI Wheel) 108, 217, 326, 434, 652 DPI (652 DPI Wheel)	
Vertical Print Swath (1025)	25.4 mm	1.00"
Vertical Print Swath (2520 or 2530)	64.77 mm	2.55"
Power (North America)	120VAC, 1.3A	
Power (Outside North America)	230VAC, 0.65A	

## Atom 5.1" Printhead Dimensions on BK230 Bridge



*Table 1-5: Atom 5.1" Printhead Dimensions on BK230 Bridge*

Symbol		Description	Dimensions	
X1		Printhead Length	330 mm	13.01"
X2		Overall Length	487 mm	19.18"
Y1		Printhead Width	230 mm	9.06"
Y2		Printhead Mount Width	153mm	6.04"
Z1		Overall Height	445 mm	17.53"
Z2		Printhead Height	396 mm	15.58"
Z3		Height Adjustment Knob Height	352 mm	13.85"
Z4		Bridge Rail Mount Height	248 mm	9.75"

*Table 1-6: Atom 5.1" Specifications*

General	
Vertical Resolution	200 (5120), 300 (5130)
Horizontal Resolution	100, 200, 300, 400, 600 DPI (600 DPI Wheel) 108, 217, 326, 434, 652 DPI (652 DPI Wheel)
Vertical Print Swath	129.54 mm      5.1"
Power (North America)	120VAC, 2.6A
Power (Outside North America)	230VAC, 1.3A

## Compact Atom 2500 Printhead Dimensions on BK230 Bridge

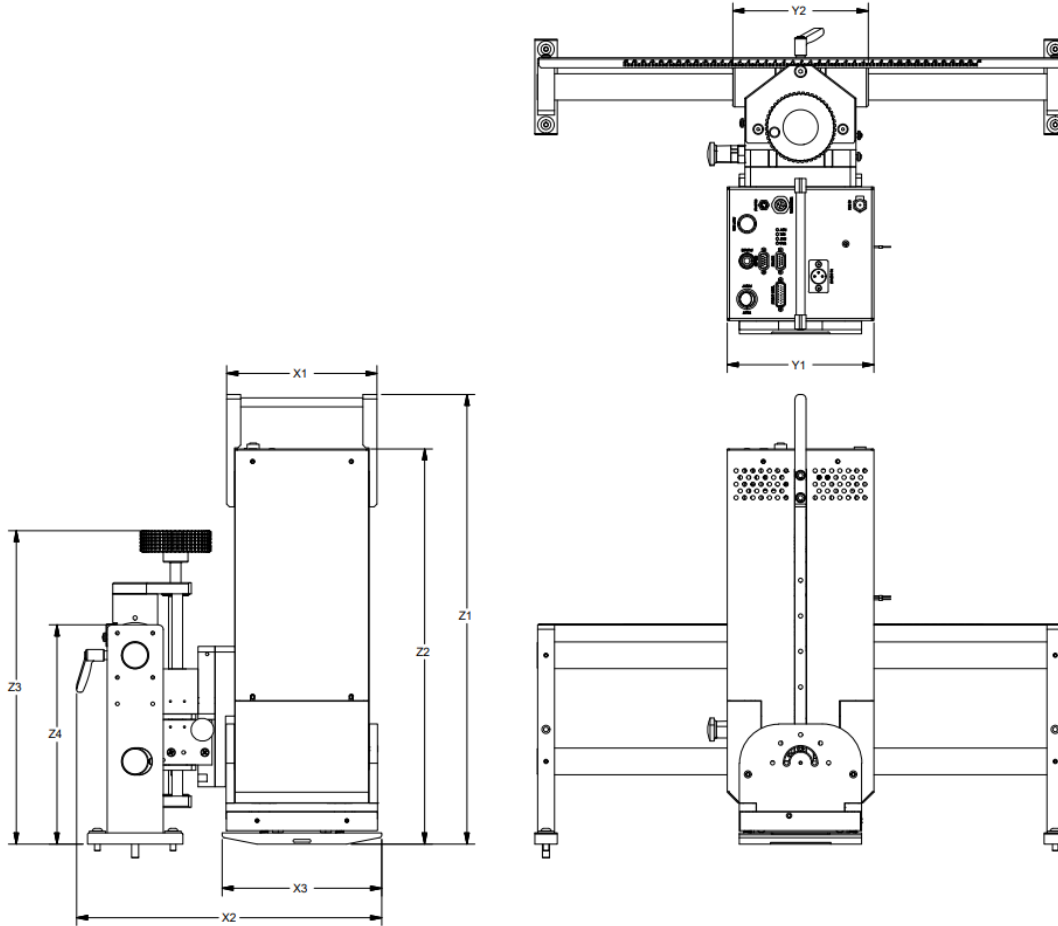


Table X-X: Compact Atom 2500 Printhead Dimensions on BK230 Bridge

Symbol	Description	Dimensions	
X1	Printhead Length	170 mm	6.70"
X2	Overall Length	345 mm	13.59"
X3	Foot Length	181mm	7.11"
Y1	Printhead Width	166 mm	6.54"
Y2	Printhead Mount Width	153 mm	6.04"
Z1	Overall Height	508 mm	20"
Z2	Printhead Height	447 mm	17.59"
Z3	Height Adjustment Height	354 mm	13.94"
Z4	Bridge Rail Mount Height	248 mm	9.75"